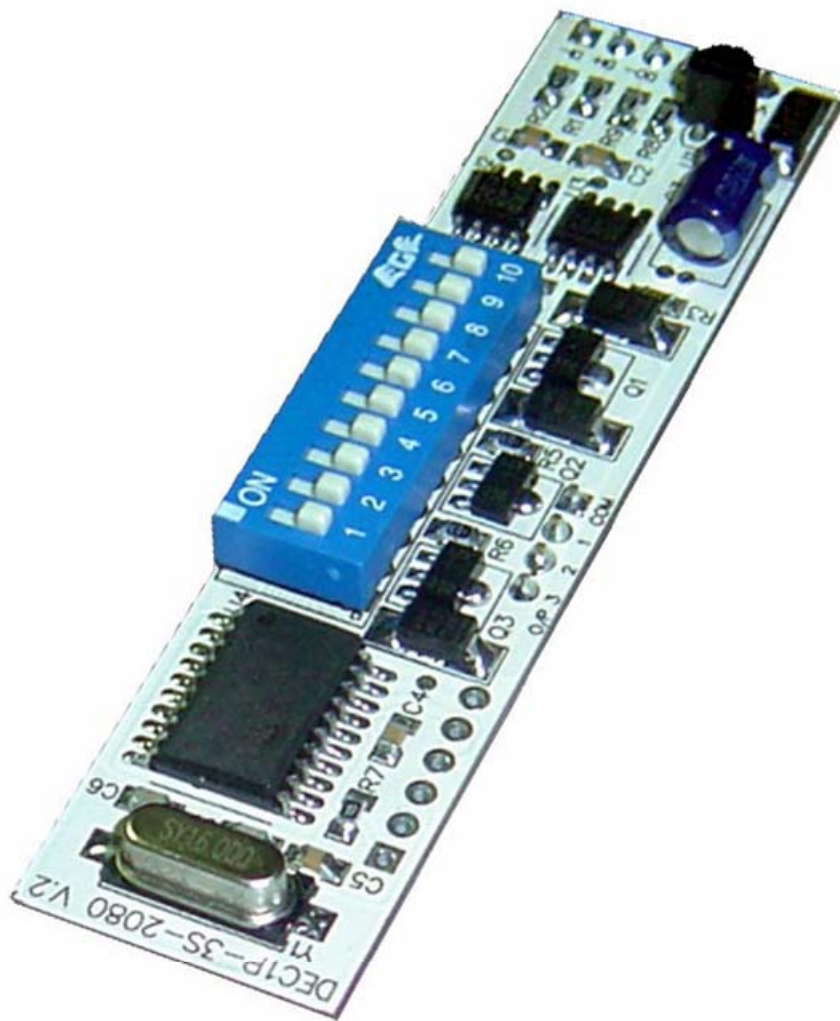


DEC1P-3S V.2

DMX-512 LED Dimmer Module 3 Channels
for DMX-512 LED Lighting Applications



C.T.MAX TECHNOLOGIES CO., LTD.

249/27-28 Rangsit-Prathumthani Rd., Bangpoon, Muang Prathumthani 12000

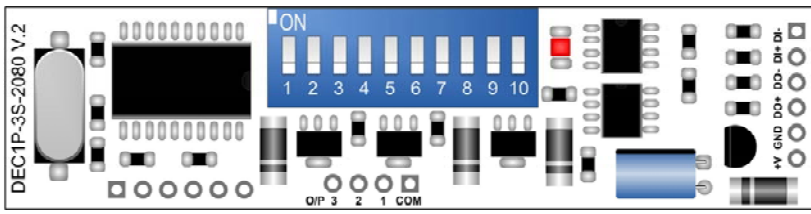
Tel: 0-2958-7721-2 Fax: 0-2958-7723 www.ctmaxtn.com

DEC1P-3S V.2 SPECIFICATIONS

Input Signal Control	DMX-512 Signal Protocol
Output Function	3 Channels Negative PWM 8 Bit Resolution 1KHz 1A / Channel with Output Protection Diode
DMX Options	<ul style="list-style-type: none"> - Full speed DMX support 512 channel @ 44 fps. - DMX Signal Overrun & Frame Error Detect - Output Memory for DMX Signal Lost - 512 Ch. DMX Address Detection - Auto Addressing Function - Built-in DMX Receiver and Transmitter
DMX Address Setup	DIP Switched
Indicator	DMX Signal Status LED
Operating Input Voltage	<ul style="list-style-type: none"> - 9 to 12 VDC System / Direct Connect - 24 VDC System / DC Input Resistor Drop
Current Consumption	100mA Max for Controller Unit
Module Size	20mm. x 80mm.
Weight	12 Gram

PIN ASSIGNMENT

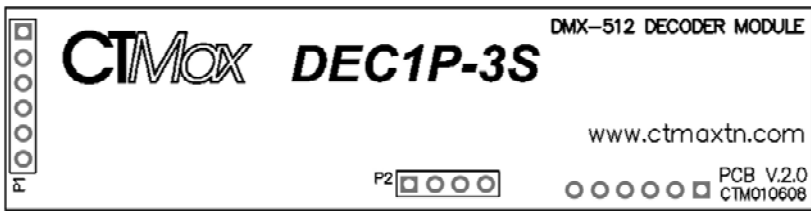
TOP



P1

□	1 - DATA IN
○	2 + DATA IN
○	3 - DATA OUT
○	4 + DATA OUT
○	5 - DC IN, GND
○	6 + DC IN

BOTTOM



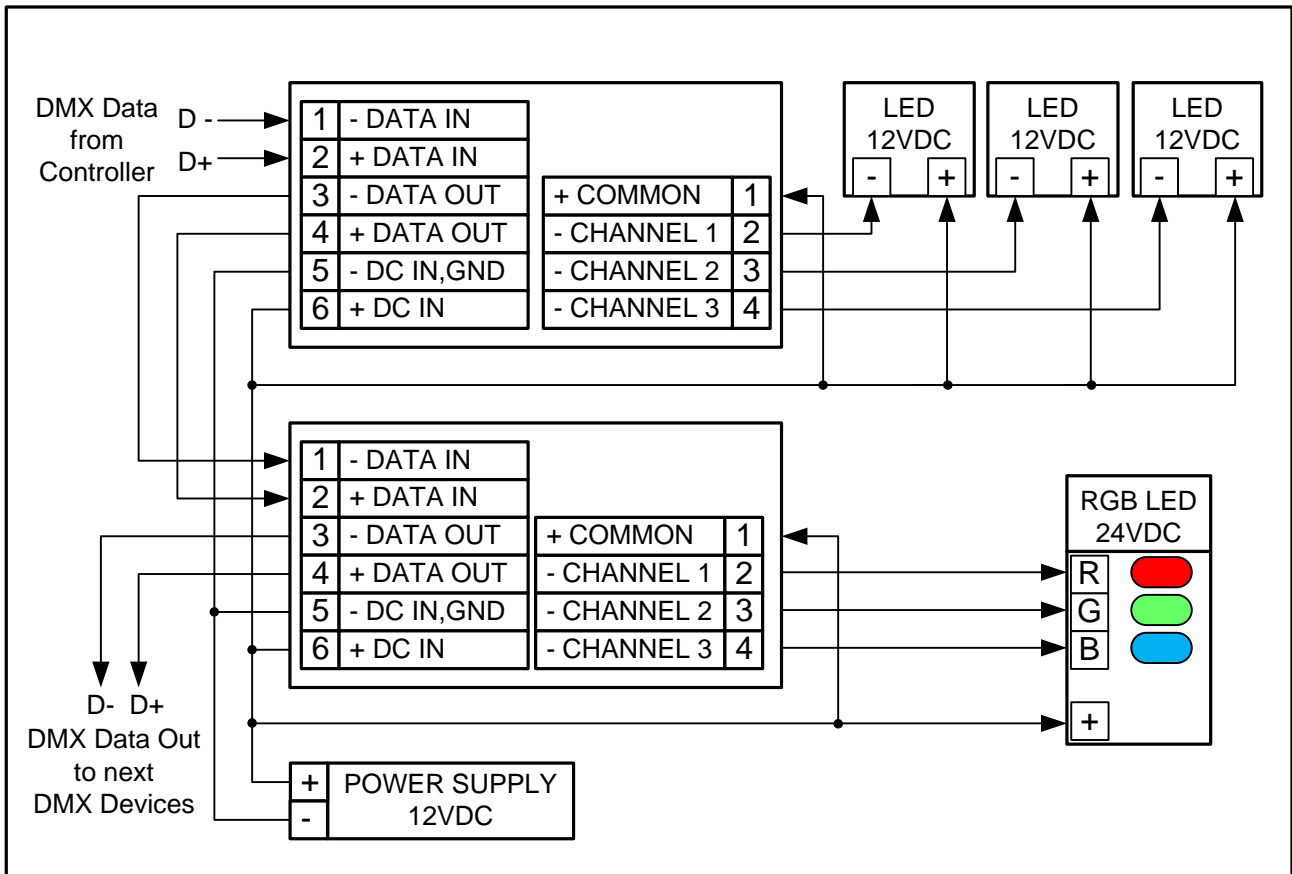
P2

□	1 + COMMON
○	2 - CHANNEL 1
○	3 - CHANNEL 2
○	4 - CHANNEL 3

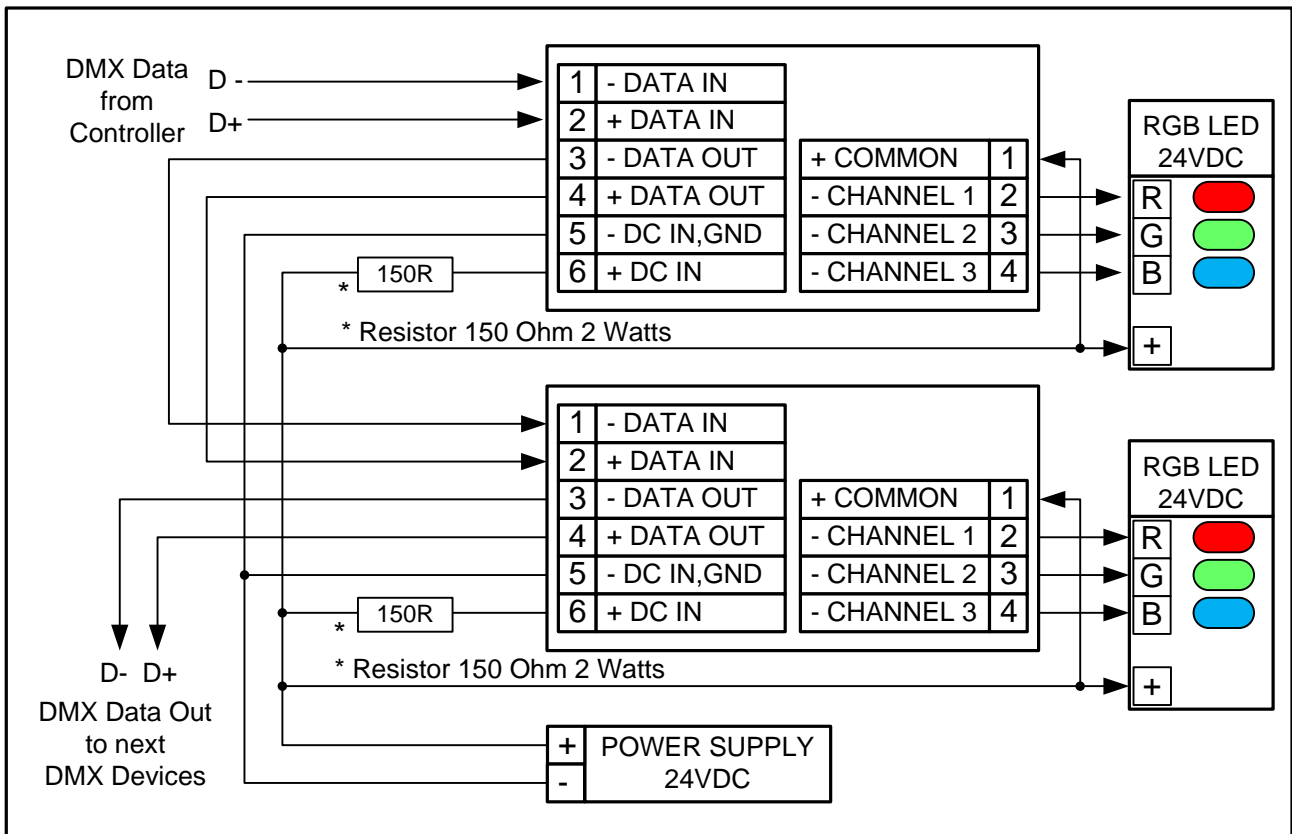
*** + **COMMON** In P2 Pin 1 is output protection diodes common pin.

DEC1P-3S MODULE OPERATION

DEC1P-3S LED DRIVE



DEC1P-3S FOR 24VDC LED SYSTEM



SETUP DIP-SWITCHED

DIP-SWITCHED VALUE
DIP1 = 001
DIP2 = 002
DIP3 = 004
DIP4 = 008
DIP5 = 016
DIP6 = 032
DIP7 = 064
DIP8 = 128
DIP9 = 256
DIP10 = AUTO ADDRESSING

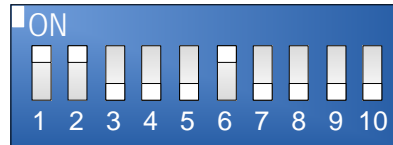
DMX START ADDRESS = DIP1+DIP2+ ... +DIP9+1

EXAMPLE :

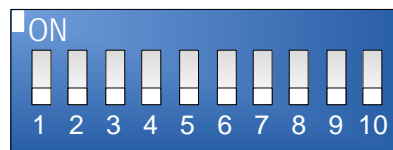
IF DMX ADDRESS = 36

= DIP6 (032) + DIP2(002)+DIP1(001)+1

= DIP6, DIP2, DIP1 = ON



IF DIP0 - DIP9 = OFF DMX ADDRESS =1

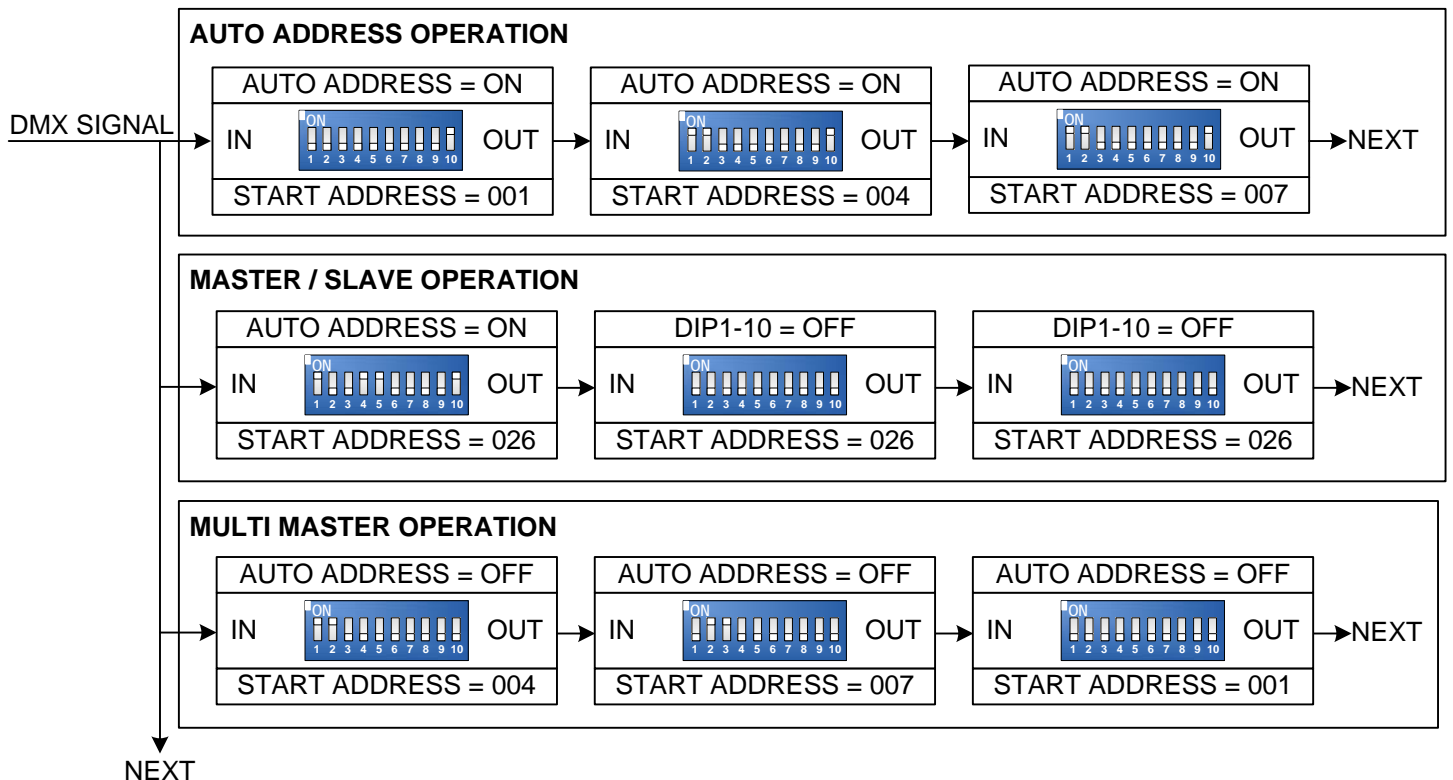


DEC1P-3S AUTO ADDRESS MODE

FOR HEADER MODULE SW-DIP1-9 = START ADDRESS & SW-DIP10 = ON

FOR NEXT MODULE SW-DIP 1-2-10 = ON

EXAMPLE:



BOARD DIMENSIONS

